

Do you need a new Worm/Auger for your Wolfking®/CFS®/GEA®/Cozzini®/Simo® Grinder?

Koncept Tech supplies and manufactures wear parts and spare parts for machines from well-known manufacturers in the industry.

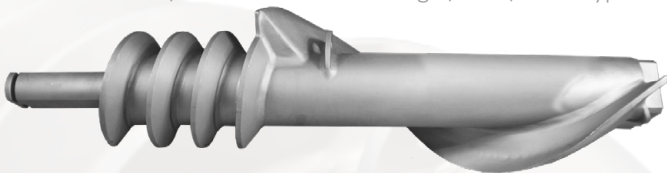
- Avoid unplanned downtime
- Ensure consistent end product quality
- Reduce wear on high value parts and other components

Do you need a new worm/auger for your Wolfking®, CFS®, GEA®, Cozzini®, or Simo® grinder?

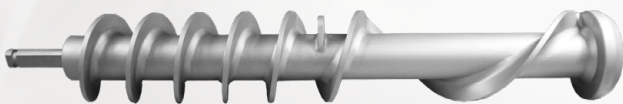
Koncept Tech supplies and manufactures worm/augers suitable for well-known industrial grinders including Wolfking®, CFS®, GEA®, Cozzini® and Simo®. Whether you process fresh meat raw material, frozen blocks or bones, we probably have the right auger/screw solution to keep your production running smoothly.



Worm C.400/B.400 Grinder Wolfking® /CFS®/GEA® type



Worm C.250 Grinder Wolfking® /CFS®/GEA® type



Worm C.160 / C.200 Grinder Wolfking® /CFS®/GEA® type



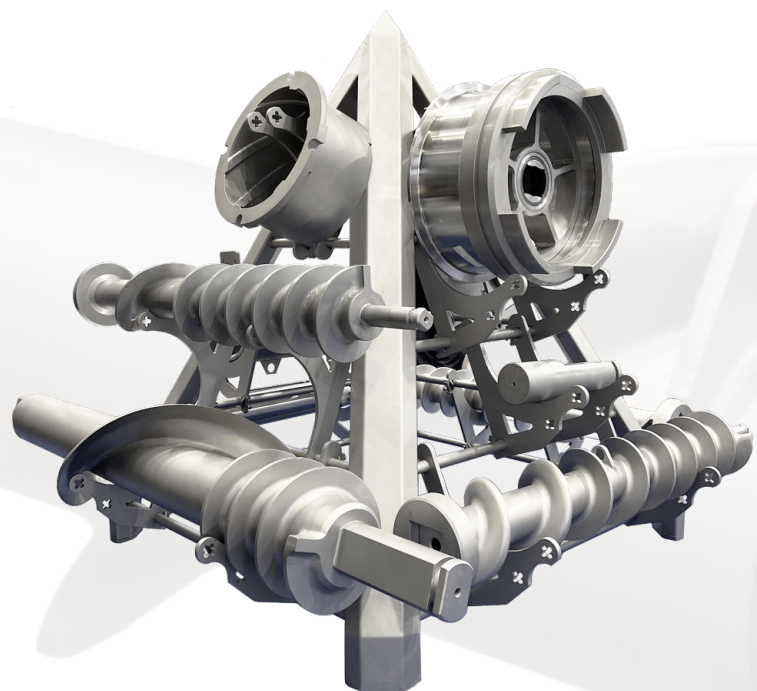
Worm C.160 / C.200 Grinder Wolfking® /CFS®/GEA® type



Pump worm DC 290 Simo® /CFS®/GEA® type



Worm 250/300 Microcutter Grinder Simo® /CFS®/GEA® type



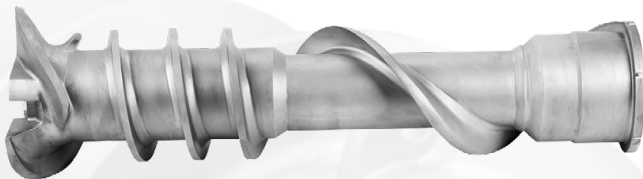
Overview of available worms/augers

Wolfking® C.400-UNI	Wolfking® C.160-UNI	GEA® MaxiGrind 400	Simo® SuperGrind 300/150
Wolfking® C.400-UNI-HD	Wolfking® SFG.800/200	GEA® MaxiGrind 400 HD	Simo® SuperGrind 300/230
Wolfking® C.400-2T70	Wolfking® SFG.1500/250	GEA® UniGrind 250	Simo® SuperGrind 400/190
Wolfking® B.400-UNI	CFS® MaxiGrind 400	GEA® ComboGrind 1500/250	Simo® SuperGrind 400/260
Wolfking® B.400-UNI-HD	CFS® MaxiGrind 400 HD	GEA® UniGrind 200	Simo® SuperGrind 400/260-HD
Wolfking® BB.400	CFS® ChunkMaster 400	GEA® UniGrind 160	Simo® SuperGrind 550/260-HD
Wolfking® BF.400	CFS® UniGrind 250		
Wolfking® BMF.400	CFS® UniGrind 200	Cozzini® CPG 400 Grinder	
Wolfking® C.250-UNI	CFS® UniGrind 160		
Wolfking® C.200-UNI			

Worm AG 280 Grinder Simo®/CFS®/GEA® type



Worm Supergrind Simo® /CFS®/GEA® type



The worm/auger does not work alone – Key parts available from Koncept Tech

The worm/auger relies on several other components for optimal performance and lifespan. Koncept Tech also supply and manufacture these essential parts, ensuring reliable operation. Key parts may include, but not limited to:

- Roller bearing
- Pilot bearing
- Screw caps
- Worm pin
- Lining
- Knife house

Koncept Tech
Global Price
Warranty
- Less 10%*

Koncept Tech

Food Machinery Company

Helle Friis Olsen
Sales and Global Agent Support
Mobile: +45 2128 9785

Phone: +45 70271410

Maria Ravnskjær
Sales and Global Agent Support
Mobile: +45 2917 1424

Email: parts@koncepttech.com

